

Introduction to Proshore's Edge Safe:

Proshore's User Guide aims to provide all the necessary information required to allow for safe, effective and well-informed use of Proshore's Edge Safe. The guide contains necessary safety information regarding the safe use of Edge Safe, installation and systems of best practice.

Proshore's Edge Safe is an edge protection system designed to provide full barrier protection. It has been designed to meet the requirements of BSEN 13374, the edge protection European/British standard. It is also a system for preventing falls from height, as required by the Work at Height Regulations 2005.

User Guide Contents:

- **Page 1:** Safety
- **Page 2:** Main components
- **Page 3:** Verti Clamp Foot and Post Installation
- **Page 4:** Edge Safe Panel installation

Safety

Preparation and Inspection

Operative Note

Operatives must inspect the equipment to ensure that all the components are present to establish that there is no damage which may cause the component to fail in its function.

Maintenance

Operative Note

Operatives must check fixings at least once every 7 days in case of movement, accidental collisions or unauthorised action by site personnel.

Operatives must be aware that work may include safety harnesses and other full protection equipment, such as lanyards or inertia blocks attached to a suitable anchor point, due to the risks posed by assembling and dismantling this product as a leading edge. Training must be given on the use of any fall protection equipment.

Product User Guide

PRO SHORE

Title: Edge Safe Edge Protection System

Issue: 1

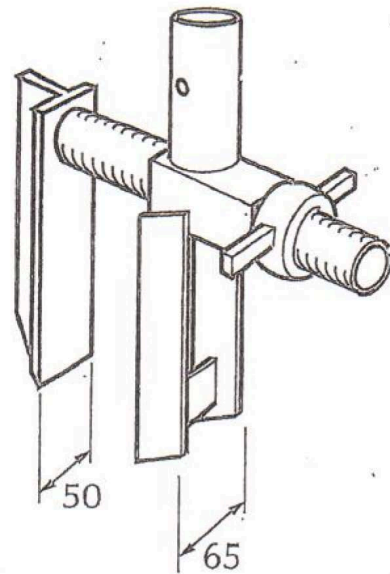
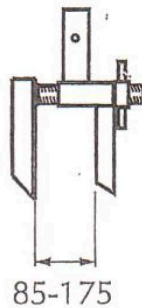
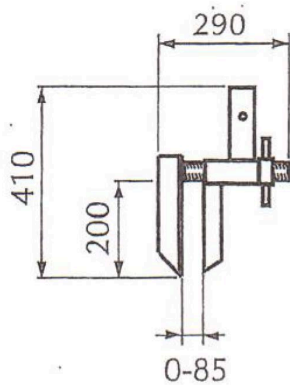
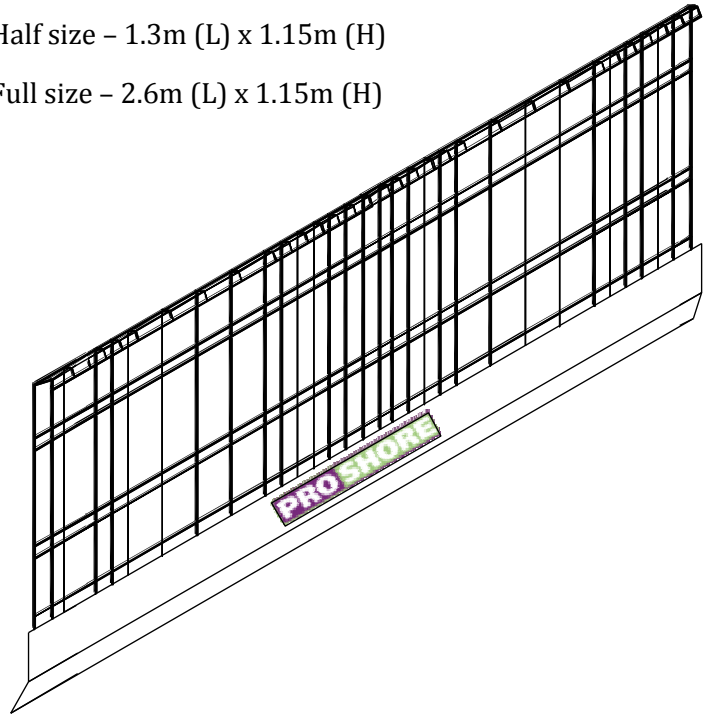
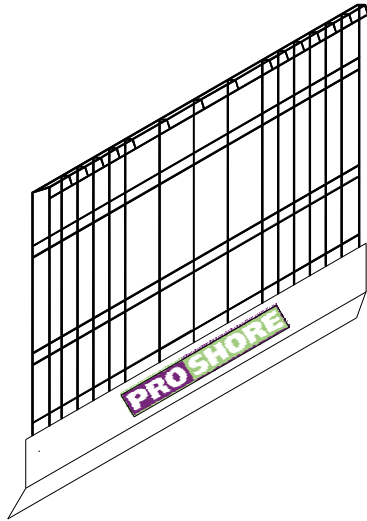
Date: Nov 16'

Main Components

Mesh panels

Half size – 1.3m (L) x 1.15m (H)

Full size – 2.6m (L) x 1.15m (H)



Posts

posts: 1.8m long

Verti Clamp Foot

[mm]

Verti Clamp Foot & Post Installation

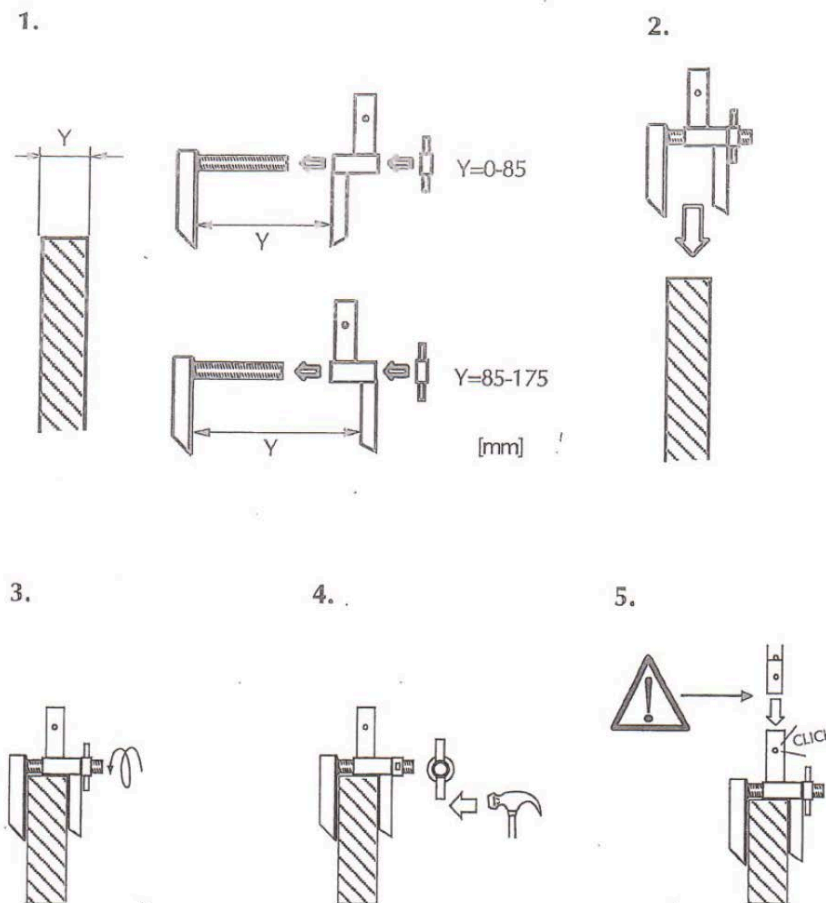


Fig 1.

Confirm which dimensions you are looking to mount the adjustable foot arrangement. If the application is above 85mm remove the post part of the foot arrangement and turn it around as per the sketch. The maximum size that the foot can accommodate 175mm.

Fig 2.

Place the foot over the box or sheet as detailed making sure that the opening has been set correctly as per Fig 1.

Fig 3.

Tighten the wing nut with a hammer making sure that it will not come loose. Check the wing nuts are tight throughout the works.

Fig 5.

Is not required as the posts are already bolted in place reducing the need and risk of coming loose whilst on site. These should be checked however just to make sure that the Nyloc nut has not been tampered with.

Edge Safe Panel Installation

1. Set the post and foot arrangements to the desired length apart; this can be no greater than 2.4 metres apart.
2. Lift the mesh panel onto the post assemblies as shown on the picture below, lower slowly and position this toe board in its correct position. Lift the toe board bracket which is encapsulated on the post. This should be positioned as close to the board as possible.
3. If overlapping the panels, make sure that the posts are spaced correctly. The correct amount of panels should be calculated dependent on the products being used. This is dependent on the varying sizes of boxes or sheeted excavation that they are to be used upon.
4. Ensure you are using the correct PPE, including safety helmet, gloves, high visibility clothing and safety boots for the application you are working on. Inspect the equipment to ensure that all components are present and that they have not been damaged or fail to function properly.



Edge Safe Mesh Panel fixed to the Verti Clamp foot & post

Verti Clamp foot

